

## Type RM3 and RM4

RM3 is an electric fluid heater, powered by current supplied from traction batteries. It is controlled by a PWM circuit which keeps the power constant over the voltage range. It also includes a safety thermostat, a thermal fuse, a control device detecting fluid flow interruption and an output to signal faults and malfunctions.

RM4 includes in a single package a fluid heater RM3, a circulation pump type MR 2-20-600 (in option: MR 2-25-900 or MR 2-30-1200). Glycol expansion tank: 1.5 liters.

### Technical data

Temperature regulation: 70÷80 °C

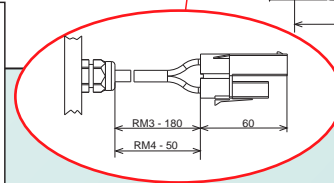
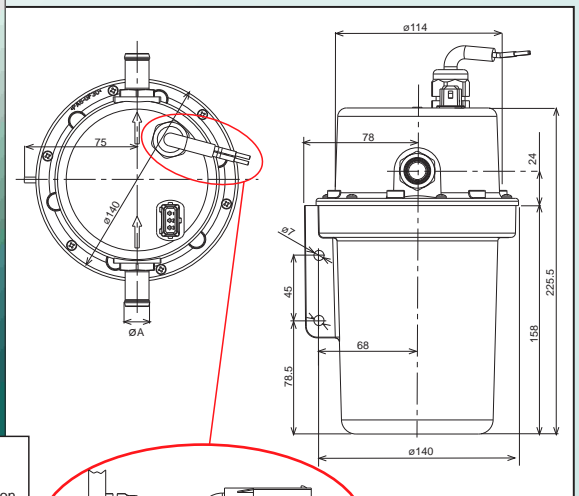
- Version 40/75V - 2000W
- Version 70/150V - 2000W
- Version 100/250V - 2000W
- Version 100/250V - 3000W
- Version 100/250V - 4000W
- Version 200/450V - 2000W
- Version 200/450V - 3000W
- Version 200/450V - 4000W

Weight: 1.7 kg Type RM3  
Weight: 2.8 kg Type RM4

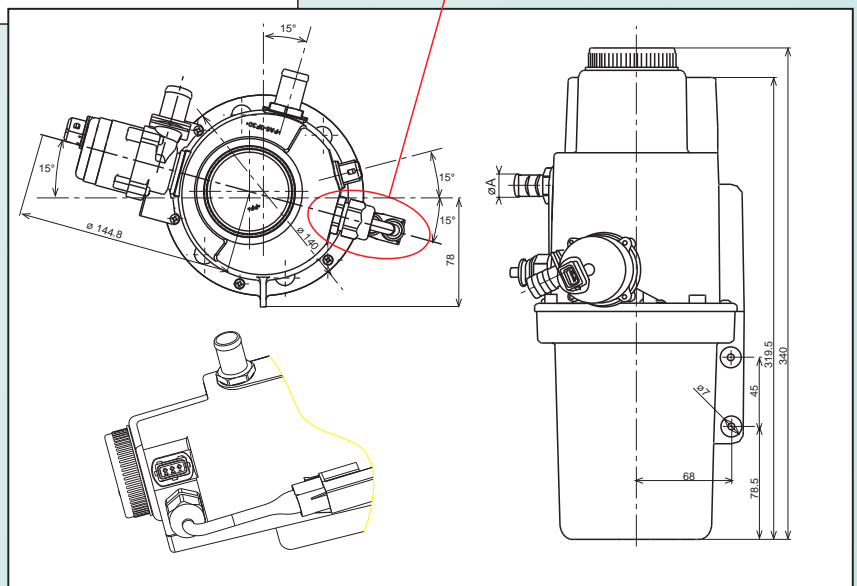
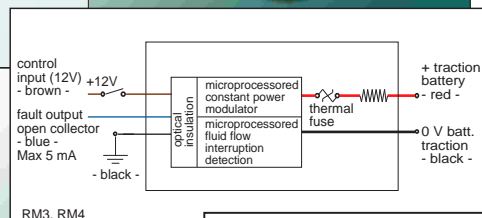
Ø A: 16.5 - 18 - 20 mm



Type RM3



Type RM4



**NOTE:**  
the heaters must be mounted **vertically**

**ATTENTION:**  
the heaters do not accept reverse polarity on traction battery cables

The information contained herewith is subject to change without notice

